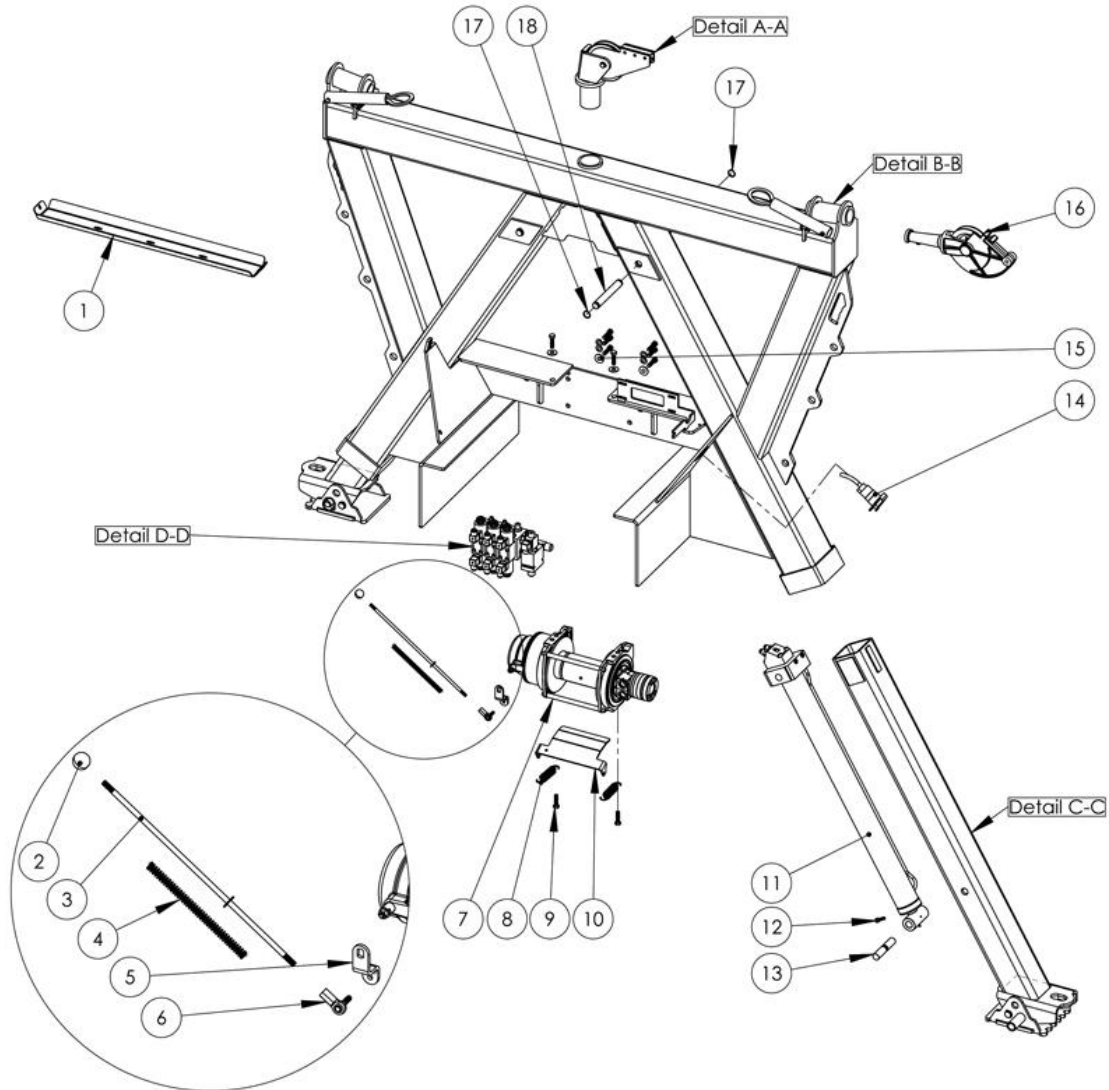
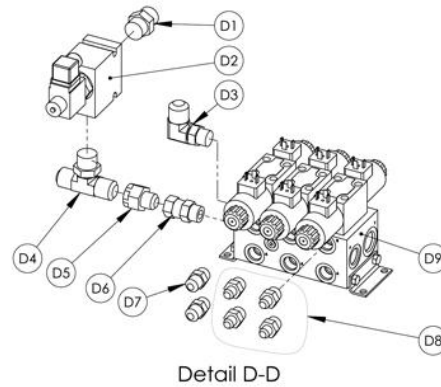
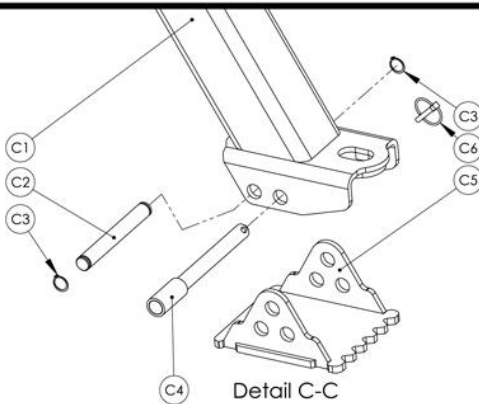
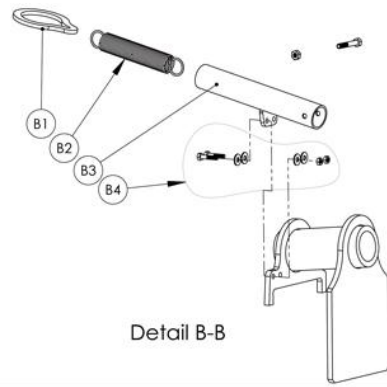
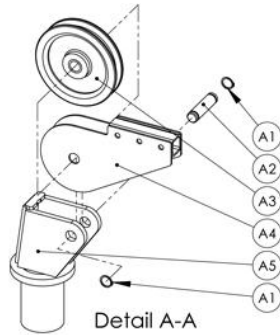


# SP12,000 Parts List



Item #	Part #	Description	Item #	Part #	Description
1	ITD4057	SP12-Aluminum Driveline Tray	10	ITD4038	SP12-Tensioner Plate
2	ITD7044	Pull Knob - 3/8"-16	11	ITD4061	SP12 Cylinder
3	ITD4072	Free Spool Rod	12	-	3/8" x 1" Bolt
4	ITD4096	Free Spool Spring	13	ITD4007	SP12-Lower Cylinder Pin
5	ITD4162	Winch Offset Lever	14	ITD4160	SP-Valve Wire Harness
6	ITD4093	Free Spool Rod - Rod End	15	-	M12-1.75 x 40mm Bolt
7	ITD4062	12,000 Hydraulic Winch	16	ITD4173	SP - Outer Boom Head
8	ITD4095	Winch Tensioner Spring	17	ITD7069	1" Snap Ring
9	-	M12-1.75 x 40mm Bolt	18	ITD4014	SP12-Upper Cylinder Pin
<b>Items Not Displayed</b>			<b>Items Not Displayed</b>		
N/A	ITD4232	Wireless Remote Control	N/A	ITD4063	7/16" Steel Core Wire Rope -100' spool

## SP12,000 Parts List



Item #	Part #	Description	Item #	Part #	Description
<b>Center Boom Head (Detail A-A)</b>			<b>Spring Tube Assembly (Detail B-B)</b>		
A-A	ITD4044	Center Boom Head Assembly	B-B	ITD4064	Spring Tube Assembly
A1	ITD7074	3/4" Snap Ring	B1	ITD4066	Hook Restraint Pear Link
A2	ITD4054	Sheave Pin	B2	ITD4067	Hook Restraint Tension Spring
A3	ITD4053	6" Sheave	B3	ITD4065	Hook Restraint (Right or Left)
A4	ITD4050	Wire Rope Guide	B4	-	Spring Tube Bolts (1/4")
A5	ITD4045	Center Boom Head Body	<b>SP Series Valve Assembly (Detail D-D)</b>		
<b>Inner Leg Assembly (Detail C-C)</b>			D-D	ITD4164	SP12,000 Valve Assembly
C-C	ITD4028	Inner Leg Assembly	D1	-	#12 JIC Diverter Valve to Beyond
C1	ITD4028W	Welded Inner Leg	D2	ITD4163	Diverter Valve
C2	ITD4034	SP12,000 Pivot Foot Pin	-	ITD4163S	Diverter Valve Solenoid Only
C3	ITD7069	1" Snap Ring	D3	-	#12 JIC 90deg Return to Tank
C4	ITD4040	SP12,000 Removable Foot Pin	D4	-	#12 JIC Tee
C5	ITD4035	Foot Base with Ice Grouser	D5	-	#12 - #10 Reducer
C6	ITD7099	5/16" Linch Pin	D6	-	#10 - #8 Swivel Reducer
			D7	-	#8 JIC Manifold to Winch lines
			D8	-	#6 JIC Manifold to Cylinder Lines
			D9	ITD4169	SP12,000 Manifold Assembly
			-	ITD4170	D03 Valve Assembly
			-	ITD4171	D03 Valve Solenoid Only

|